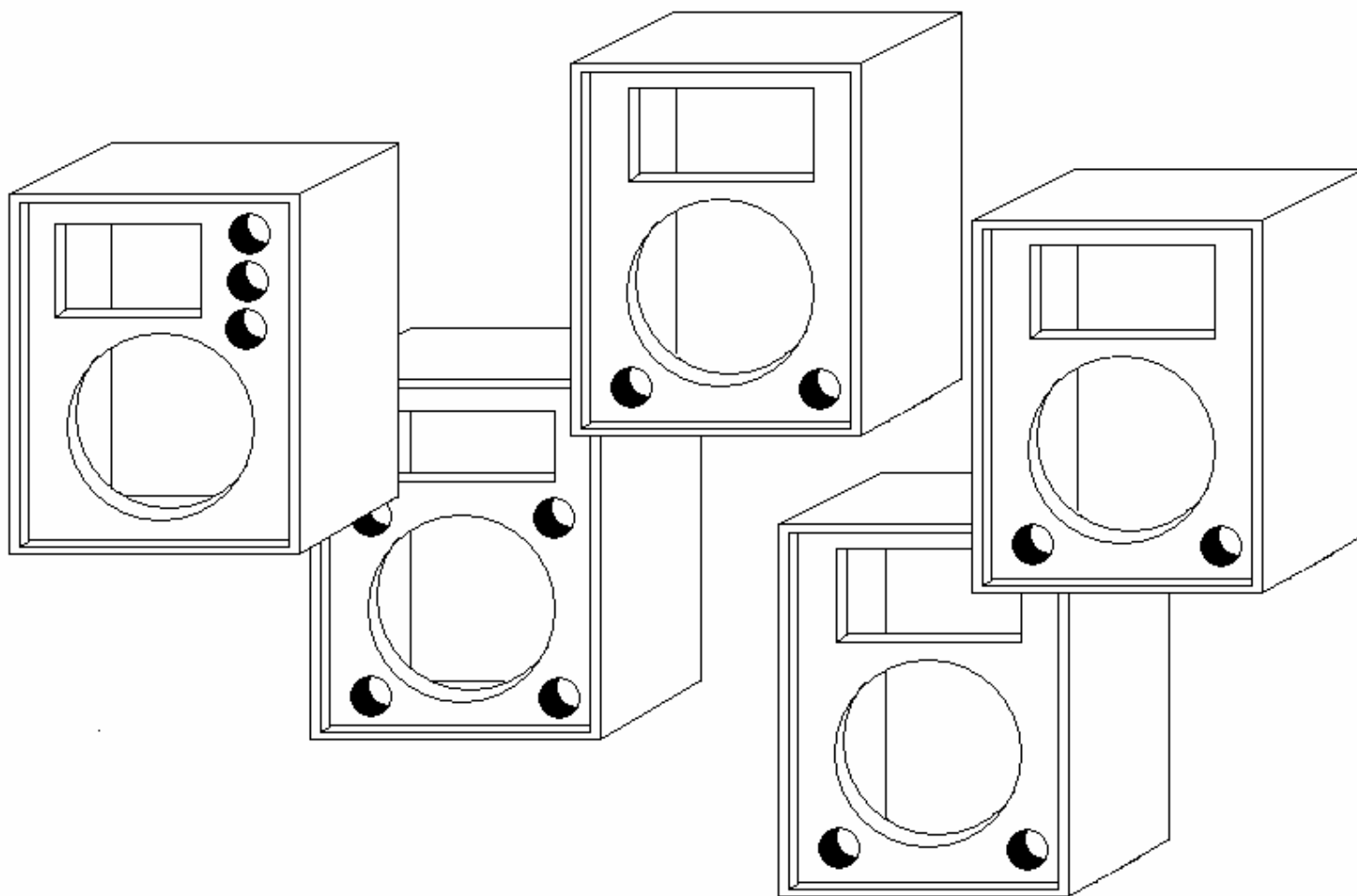
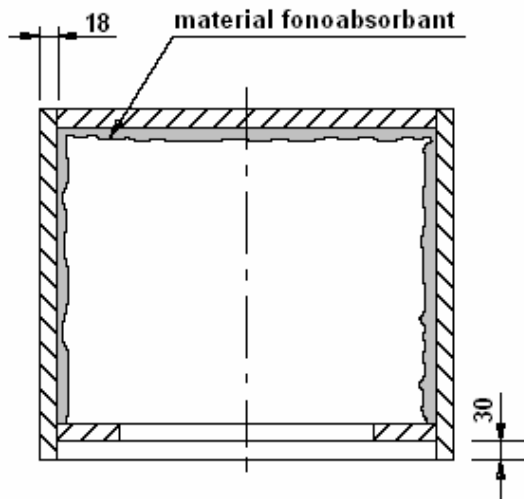
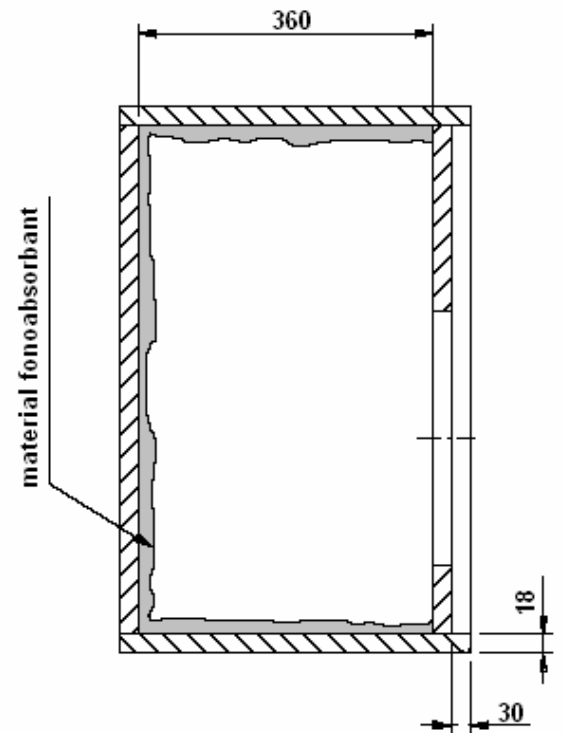
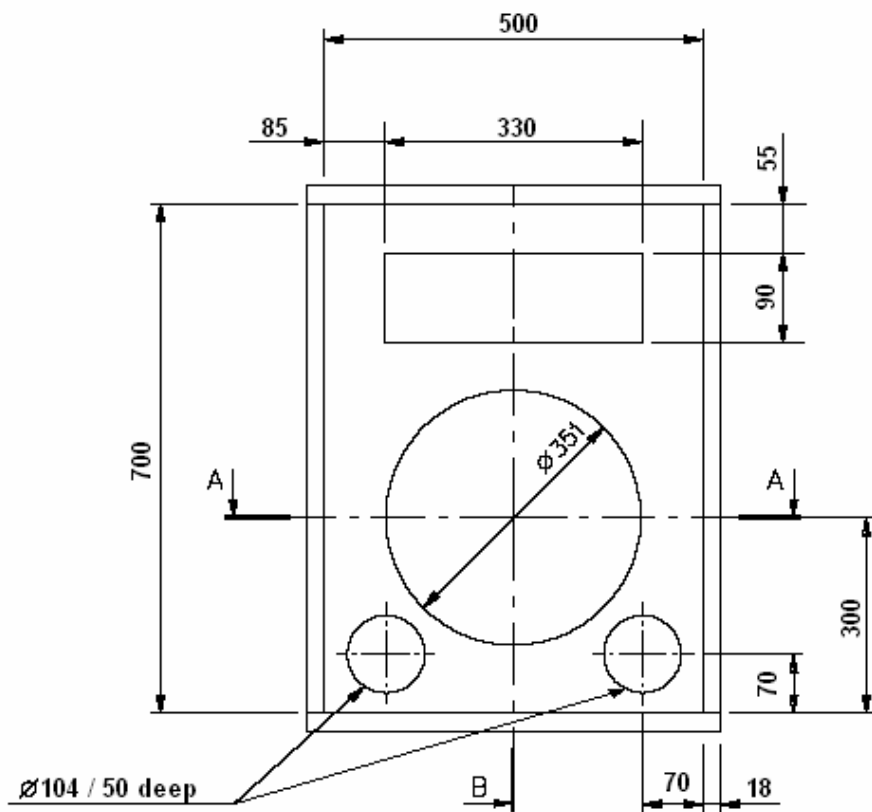
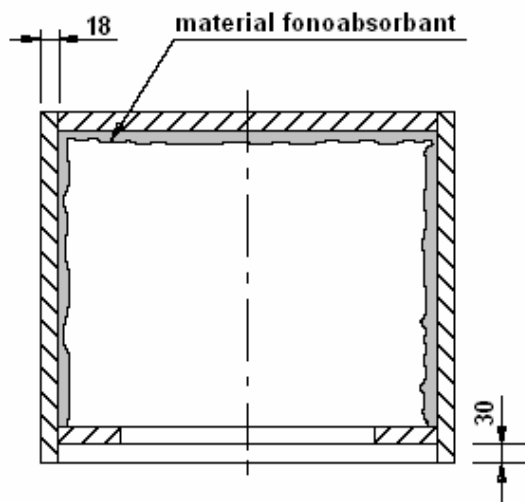
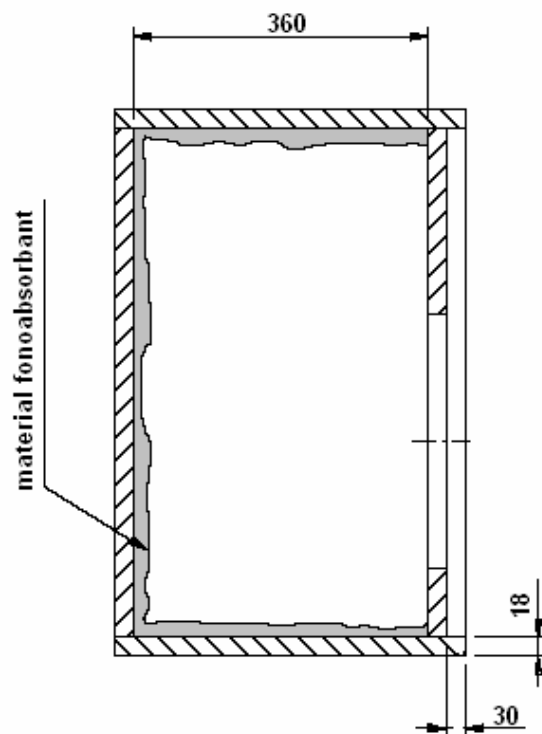
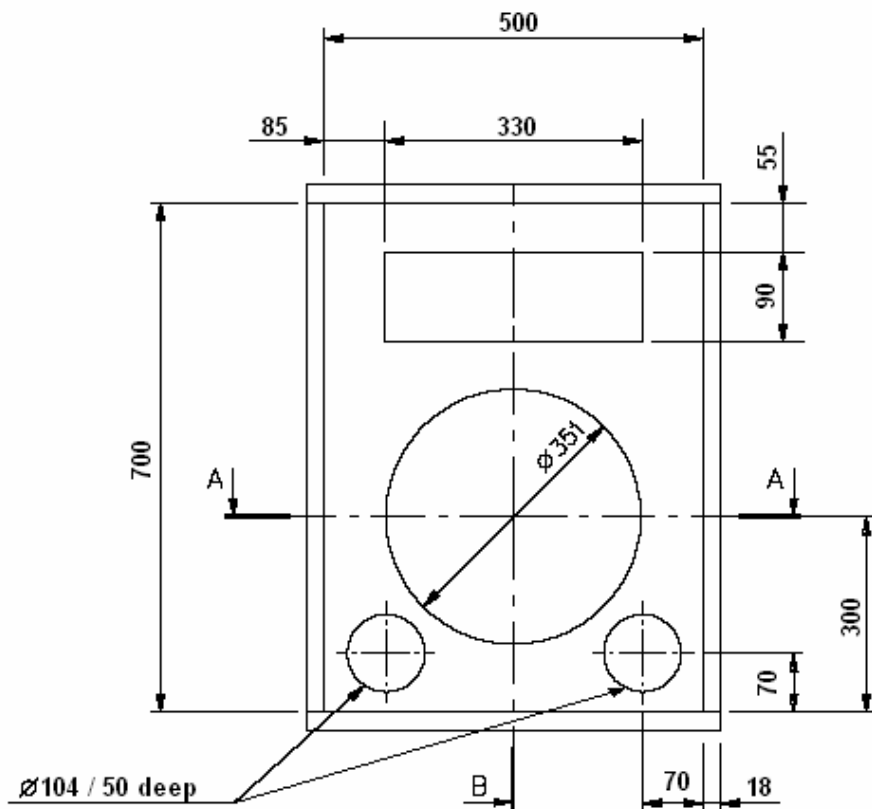


Seria de documente "CONSTRUCTOR'S SERIES" are intentia de a fi un ghid in realizarea de incinte acustice folosind difuzoare si subansamble comercializate de firma noastra. Fiecare plan propus spre realizare a fost conceput pentru a obtine performante optime de la componentele recomandate . Ghidul de constructie si schitele prezentate in aceste documente contin suficiente informatii pt a permite oricarei persoane sa-si realizeze propriile incinte acustice.
Ca o alternativa , contactati **POWERAUDIO** pentru a va recomanda constructori experimentati pt realizarea acestor proiecte.Proiecte pentru alte incinte sunt disponibile la cerere.

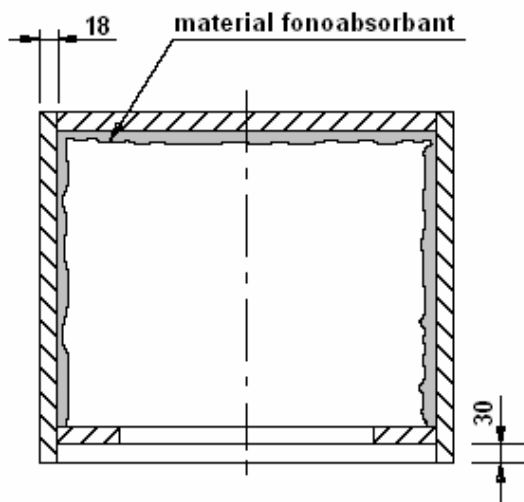
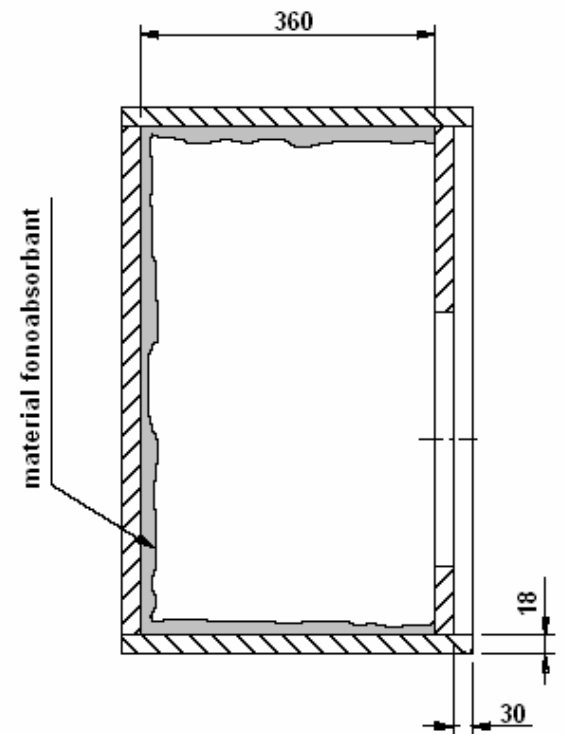
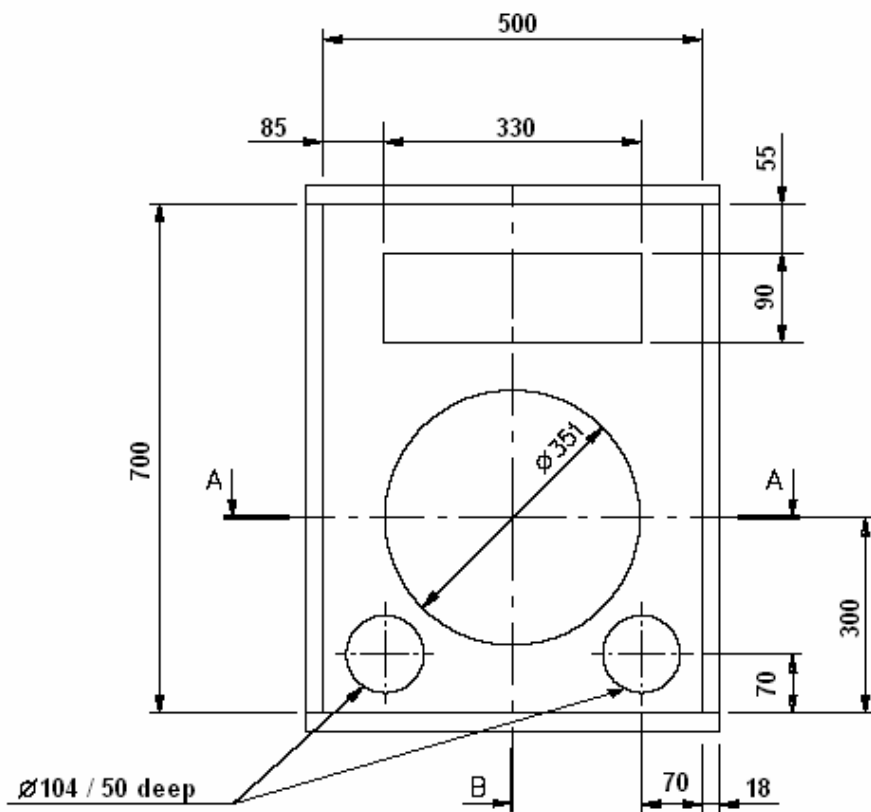




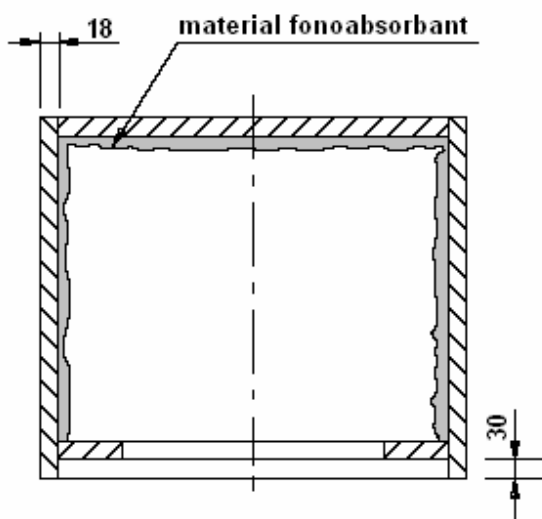
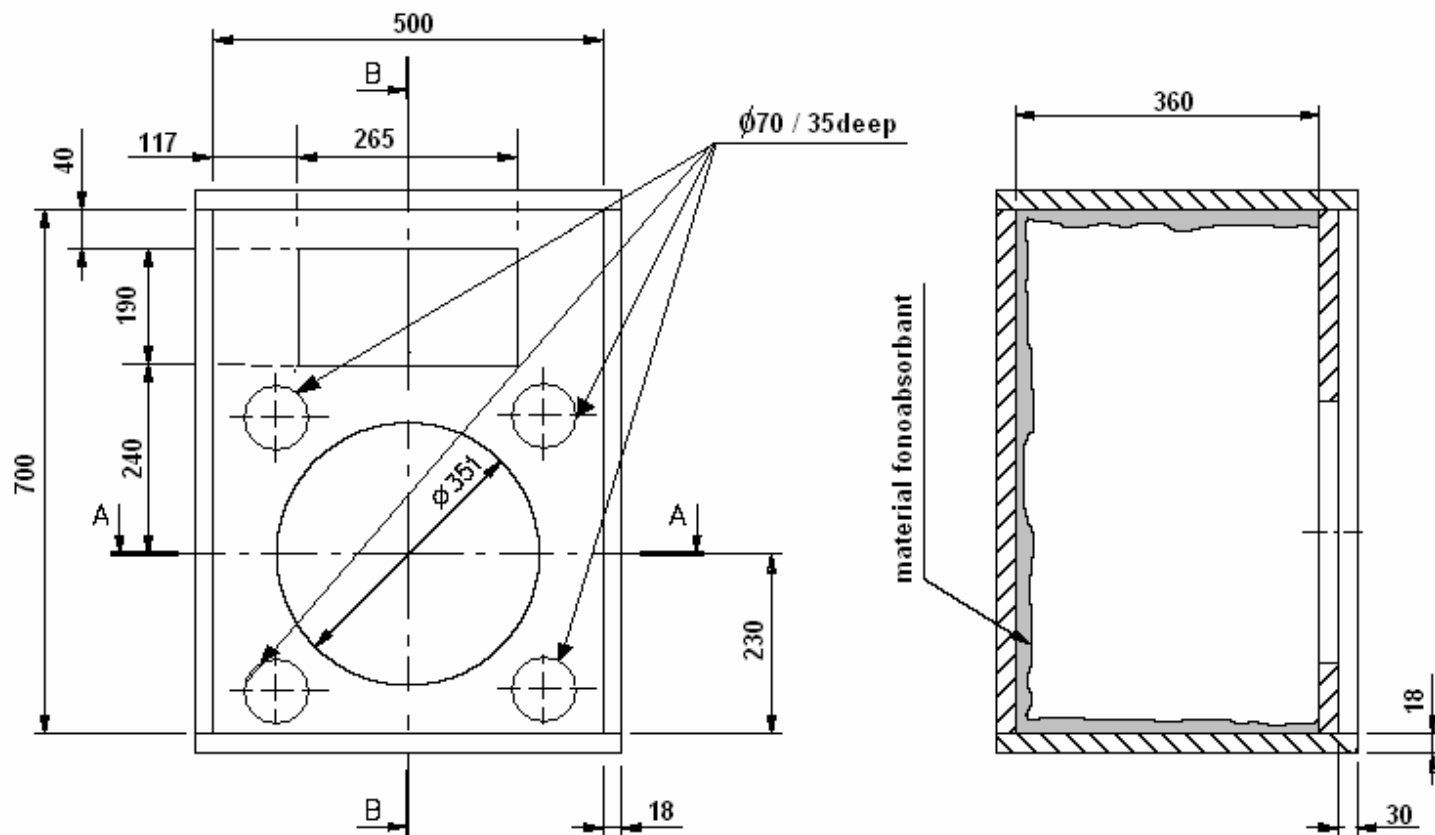
MODEL	ENCLOSURE DESIGN	FREQUENCY RESPONSE	EFFICIENCY	POWER CAPACITY	IMPEDANCE
300MB FLR	BASS_REFLEX	50Hz 18KHz	99dB @1W @1M	300W RMS	8 Ohm
COMPONENTS		P.Audio C15 300MB Woofer P.Audio BM-D440 Compression Driver P.Audio High frequency horn PH-3713			



MODEL	ENCLOSURE DESIGN	FREQUENCY RESPONSE	EFFICIENCY	POWER CAPACITY	IMPEDANCE
400B FLR	BASS_REFLEX	50Hz 18KHz	100 dB @1W @1M	400 W RMS	8 Ohm
COMPONENTS		P.Audio C15 400B Woofer P.Audio BM-D440 Compression Driver P.Audio High frequency horn PH-3713			



MODEL	ENCLOSURE DESIGN	FREQUENCY RESPONSE	EFFICIENCY	POWER CAPACITY	IMPEDANCE
200S FLR	BASS_REFLEX	50Hz 18KHz	98dB @1W @1M	200 W RMS	8 Ohm
COMPONENTS		P.Audio E15 200S Woofer	P.Audio BM-D440 Compression Driver	P.Audio High frequency horn PH-3713	



MODEL	ENCLOSURE DESIGN	FREQUENCY RESPONSE	EFFICIENCY	POWER CAPACITY	IMPEDANCE
NEO FLR	BASS_REFLEX	60Hz 18KHz	102 dB @1W @1M	300 W RMS	8 Ohm
COMPONENTS		P.Audio WN 15S Woofer	P.Audio BM D750 Compression Driver	P.Audio High frequency horn PH 3223	

